

## Ladder & Rail Assembly

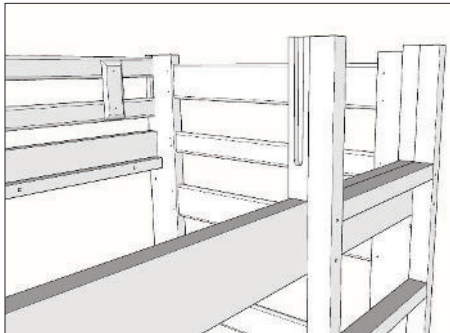
### Ladder/Rail Combo Assembly Instructions

#### Hardware

4 - 3" Square Driver Standard Wood Screws

4 - 1 1/4" Square Driver Standard Wood Screws

#### Assembly:

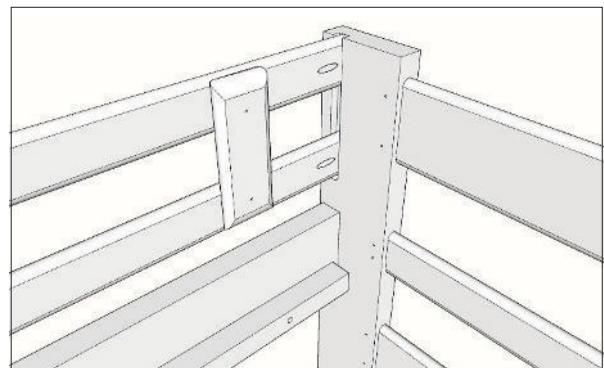
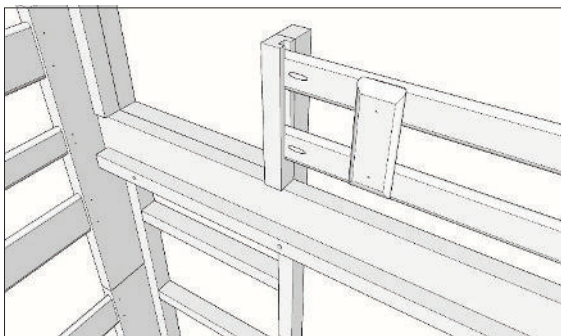
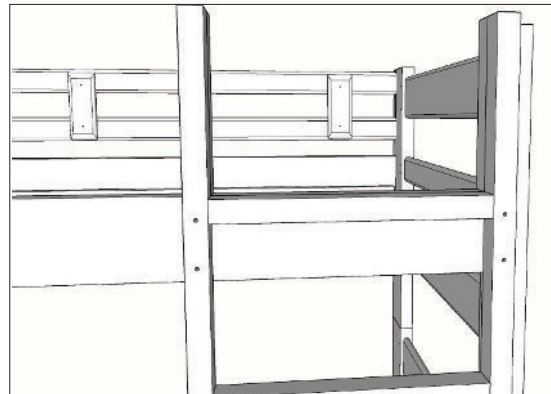


1. Place Ladder Flush with Bed Rail and one of the Bed Ends. This Product is interchangeable therefore you can place on either side of the Bed.



2. Test Fit the Safety Rail.

3. Secure the Ladder the bed using the 4 - 3" Square Driver Standard Wood Screws in the pre drilled holes.



4. Insert the safety rail into the grooves on the ladder and bed end. Secure via the pocket holes with 4 - 1 1/4" Square Driver Standard Wood Screws.