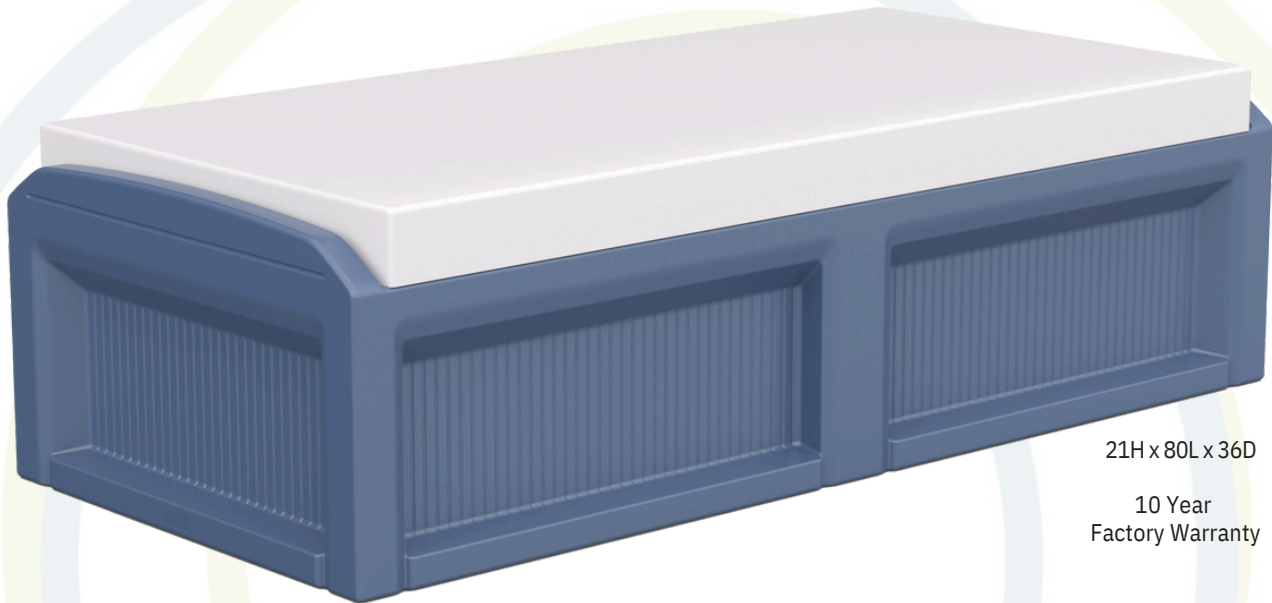




Solstice Bed

The Solstice Bed merges unparalleled strength and durability with a more familiar, home-like design to enhance patient comfort and security. Depending on the environment, it can be bolted to the floor or weighted with sand through optional underside ballast doors.



21H x 80L x 36D

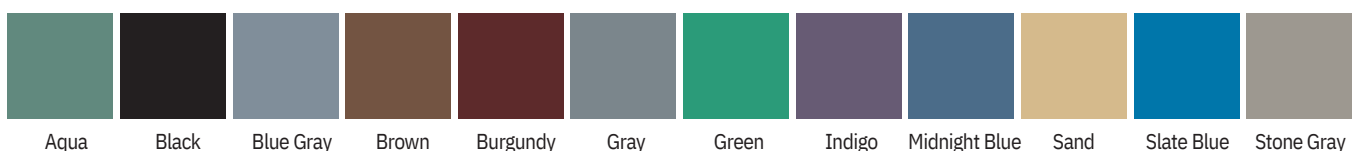
10 Year
Factory Warranty

FEATURES:

- Durable, one-piece, rotationally molded design for increased strength
Constructed of high impact “no break” polyethylene
- Molded-in, raised head and footboards to prevent mattresses from sliding
- Designed for use with a 36” x 75” mattress.
Mattresses sold separately
- Optional underside ballast doors to add weight with sandbags
*loose sand not recommended
- Option to bolt to the floor via concealed pilot holes and hardware of your choice
- Easy to clean, sanitize, and maintain
- GREENGUARD Gold Certified
- Flame Retardant (passes Cal 133). Test reports available upon request
- Manufactured to ISO Quality Standards in the USA 

ITEM	COLOR
100A Q	Aqua
100BK	Black
100BG	Blue Gray
100BN	Brown
100BY	Burgundy
100GY	Gray
100GN	Green
100IG	Indigo
100MB	Midnight Blue
100SD	Sand
100SB	Slate Blue
100SG	Stone Gray

Available in



Custom colors available upon request.



Solstice Bed

OVERVIEW

The Solstice Bed is rotationally molded as a single unit without seams or cracks. It is designed for continuous use in intensive environments. **Manufactured to ISO Quality Standards in the USA.**

No shelves or storage. Designed for use with 36" x 75" mattress.

FABRICATION/MATERIAL

Durable, one piece, rotationally molded design for increased strength. Constructed of high impact polyethylene. No steel or wood components. Flame Retardant (as shown passes Cal 133). Test reports available upon request.

COLOR Aqua, Black, Blue Gray, Brown, Burgundy, Gray, Green, Indigo, Midnight Blue, Sand, Slate Blue and Stone Gray. Custom colors available upon request.

WEIGHT 145 lbs.

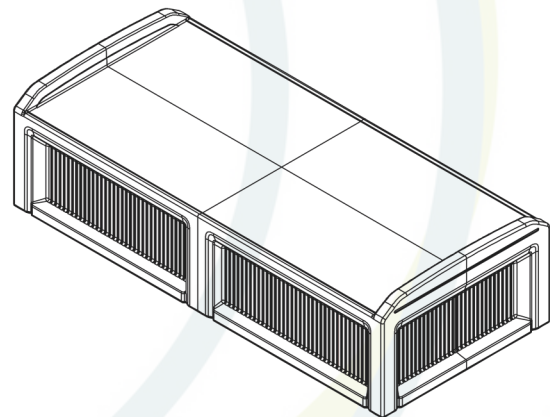
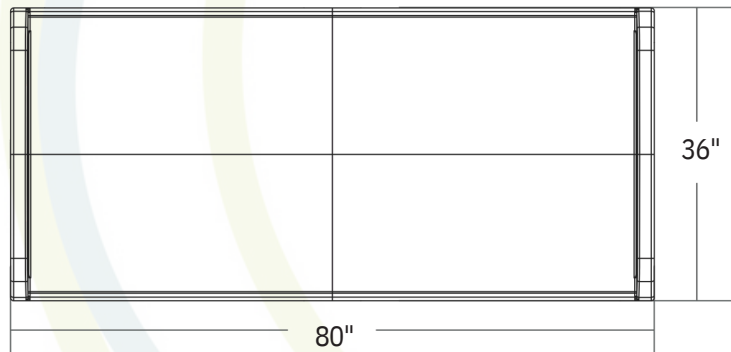
OPTIONS Ballast doors. Hardware bit size: T27.

ASSEMBLY Bolt to the floor via concealed pilot holes with hardware of your choice.

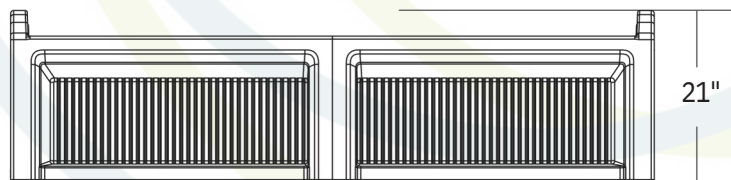
WARRANTY 10 Year Factory Warranty.

MAINTENANCE Easy to clean, sanitize & maintain

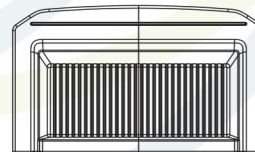
TOP VIEW



SIDE VIEW



FRONT / BACK VIEW



BOTTOM VIEW

